



N300 Wireless Router

Quick Start Guide

V1.0.0

ZHEJIANG DAHUA VISION TECHNOLOGY CO., LTD.

Address: No.1399 Bin'xing Road, Binjiang District, Hangzhou, P.R.China

Postcode: 310053 | Website: www.dahuasecurity.com

Email: overseas@dahuatech.com

Tel: +86-571-87688883 | Fax: +86-571-87688815






Foreword

General

This manual introduces the installation, functions and operations of the mesh router (hereinafter referred to as "the router"). Read carefully before using the device, and keep the manual safe for future reference.

Safety Instructions

The following signal words might appear in the manual.

Signal Words	Meaning
 DANGER	Indicates a high potential hazard which, if not avoided, will result in death or serious injury.
 WARNING	Indicates a medium or low potential hazard which, if not avoided, could result in slight or moderate injury.
 CAUTION	Indicates a potential risk which, if not avoided, could result in property damage, data loss, reductions in performance, or unpredictable results.
 NOTE	Provides additional information as a supplement to the text.
 TIPS	Provides methods to help you solve a problem or save time.

Revision History

Version	Revision content	Release Time
V1.0.0	First release.	December 2022

Privacy Protection Notice

As the device user or data controller, you might collect the personal data of others such as their face, fingerprints, and license plate number. You need to be in compliance with your local privacy protection laws and regulations to protect the legitimate rights and interests of other people by implementing measures which include but are not limited to: Providing clear and visible identification to inform people of the existence of the surveillance area and provide required contact information.

About the Manual

- The manual is for reference only. Slight differences might be found between the manual and the product.
- We are not liable for losses incurred due to operating the product in ways that are not in compliance with the manual.
- The manual will be updated according to the latest laws and regulations of related jurisdictions. For detailed information, see the paper user's manual, use our CD-ROM, scan the QR code or visit our official website. The manual is for reference only. Slight differences might be found between the electronic version and the paper version.
- All designs and software are subject to change without prior written notice. Product updates might result in some differences appearing between the actual product and the manual.
- Please contact customer service for the latest program and supplementary documentation.
- There might be errors in the print or deviations in the description of the functions, operations and technical data. If there is any doubt or dispute, we reserve the right of final explanation.
- Upgrade the reader software or try other mainstream reader software if the manual (in PDF format) cannot be opened.
All trademarks, registered trademarks and company names in the manual are properties of their respective owners.
- Please visit our website, contact the supplier or customer service if any problems occur while using the device.
- If there is any uncertainty or controversy, we reserve the right of final explanation.

Important Safeguards and Warnings

This section introduces content covering the proper handling of the Device, hazard prevention, and prevention of property damage. Read carefully before using the Device, comply with the guidelines when using it, and keep the manual safe for future reference.

Transportation Requirements

 Transport the device under allowed humidity and temperature conditions.

Storage Requirements

 Store the device under allowed humidity and temperature conditions.

Installation Requirements

WARNING

- Do not connect the power adapter to the device while the adapter is powered on.
- Strictly comply with the local electric safety standards.
- Personnel working at heights must take all necessary measures to ensure personal safety including wearing a helmet and safety belts.
- Do not leave outdoor models of the device hanging in the air or facing outwards when installing onto poles that are on top of buildings.
- Install outdoor models of the device on top of buildings where there is little to no direct sunlight to avoid the device becoming overheated. Make sure to take all necessary measures to protect the device.
- Face the side with the Ethernet port downwards, and arrange the wires in a downward direction when installing outdoor models of the device.



- Do not place the device in a place exposed to sunlight or near heat sources.
- Place the device in a well-ventilated place, and do not block its ventilation.
- Use an adapter or chassis power supply from the manufacturer.
- Do not connect the device to two or more kinds of power supplies, to avoid damage to the device.
- The device is a class I electrical appliance. Make sure that the power supply of the device is connected to a power socket with protective earthing.
- The device must be grounded by a copper wire with a cross-sectional area of 2.5 mm² and a ground resistance no more than 4 Ω.
- Voltage stabilizer and lightning surge protector are optional depending on the actual power supply on site and the ambient environment.
- To ensure heat dissipation, the gap between the device and the surrounding area should not be less than 10 cm on the sides and 10 cm on top of the device.
- When installing the device, make sure that the power plug and appliance coupler can be easily **reached to cut off power**.
- Outdoor models of the device must be securely installed on poles or brackets that are perpendicular to the ground. Make sure the entire surface of the device and all its related components are covered with anti-oxidation coating (such as rust preventive paint), and that the installation site and height of the device meet the requirements of the plan.

Operation Requirements



WARNING

- Do not disassemble the device without professional instruction.
- Operate the device within the rated range of power input and output.
- Make sure that the power supply is correct before running the device.
- **When removing the cable device first to avoid personal injury.**
- Do not unplug the power cord on the side of the device when the adapter is powered on.



- Use the device under allowed humidity and temperature conditions.
- Operating temperature: -10 °C to +40 °C (+14 °F to +104 °F).
- This is a class B product. In a domestic environment this may cause radio interference in which case you may be required to take adequate measures.

Maintenance Requirements



WARNING

- Do not disassemble it unless necessary.
- Power off the device before maintenance.
- Mark key components on the maintenance circuit diagram with warning signs.

1 Connecting the Router

Figure 1-1 Top Side

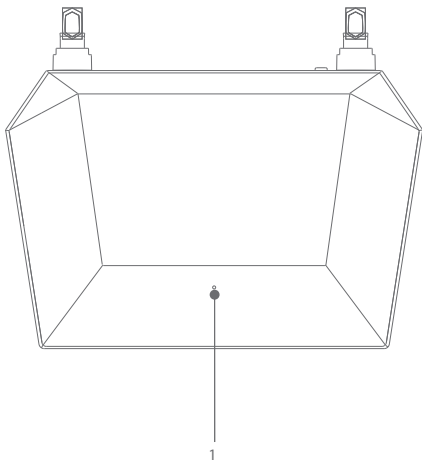


Table 1-1 Indicator descriptions

NO.	Indicator	Description
1	Indicator status	<ul style="list-style-type: none">● Solid red: Power on. Internet is not connected.● Solid green: Connected to the Internet.

Figure 1-2 Rear Side

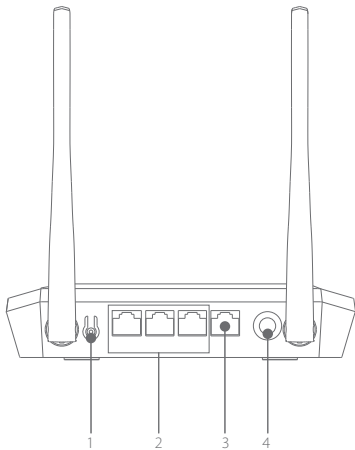
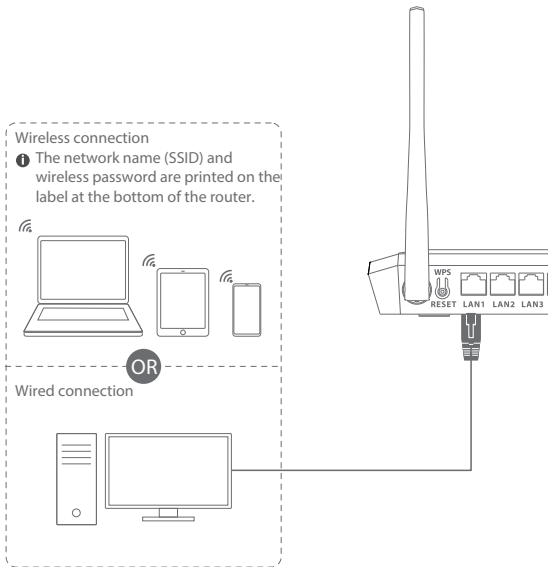


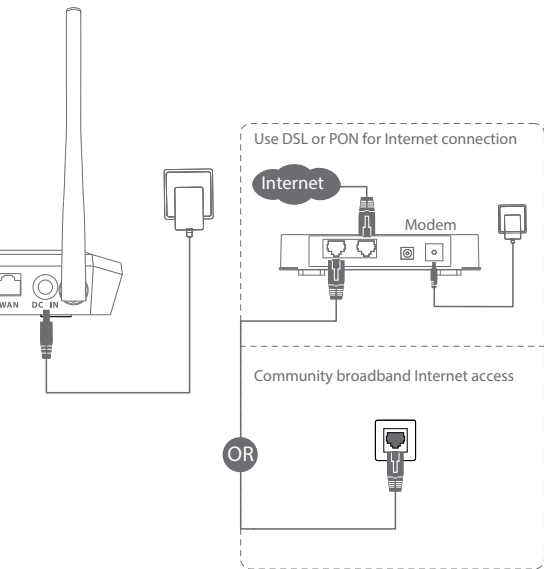
Table 1-2 Button and Port descriptions

NO.	Port and Button	Description
1	Reset/WPS Button	<ul style="list-style-type: none">● Press the button for 1s to start the WPS process.● Press and hold the button for 5s to reset the device.
2	LAN ports	Connects to wired devices such as computers and set top boxes. You can switch between the WAN port and LAN port.
3	WAN ports	Connects to the Internet modem or Ethernet port. You can switch between the WAN port and LAN port.
4	Power port	Connects to the power supply.

Figure 1-3 Connect the router



- 1 Power off the modem.
- 2 Connect the modem's LAN port with an Ethernet cable(RJ45) to the router's WAN port.
 - 1 If your Internet is connected through the Ethernet cable directly from the wall, connect the other end of Ethernet cable to the router's WAN port.



- 3 Connect the power adapter to the router's DC-IN and turn it on.
- 4 Plug in the modem's power adapter.

2 Basic Configuration

You can initialize the device and login through the device webpage.



To protect your device, keep the admin login password safe after initialization, and change the password regularly.

Set the TCP/IP Protocol as obtain an IP address automatically on your computer. Enter <http://dahuawifi.com> and login. Alternatively, enter 192.168.10.110 to login.

Step 1: Open IE browser, enter the IP address of the device in the address bar, and then press Enter.

Step 2: Enter the password, and then click Login.



Log in to the webpage, and then click [Forgot password?](#) to reset the password.



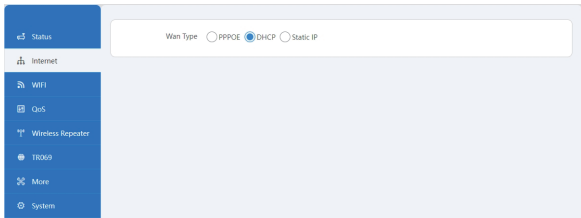
Username

Password

Login

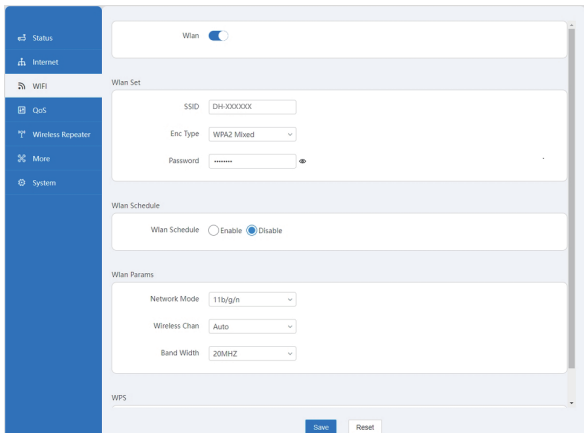
[Forgot password?](#)

Step 3: Choose Internet page, select WAN Type, Click DHCP, and Click Save.



The screenshot shows the 'Internet' configuration page. On the left is a blue sidebar with navigation options: Status, Internet, WiFi, QoS, Wireless Repeater, TR069, More, and System. The main content area has a 'Wan Type' section with three radio buttons: PPPoE, DHCP (which is selected), and Static IP.

Step 4: Choose WiFi page, change the SSID and Password to improve your Wi-Fi network security. Click Save to save the configuration.



The screenshot shows the 'WiFi' configuration page. The left sidebar is the same as in Step 3. The main content area has a 'Wlan' toggle switch which is turned on. Below it are three sections: 'Wlan Set' with fields for SSID (DH-XXXXXX), Enc Type (WPA2 Mixed), and Password (masked); 'Wlan Schedule' with 'Enable' and 'Disable' radio buttons (Disable is selected); and 'Wlan Params' with dropdown menus for Network Mode (11b/g/n), Wireless Chan (Auto), and Band Width (20MHZ). At the bottom right are 'Save' and 'Reset' buttons.