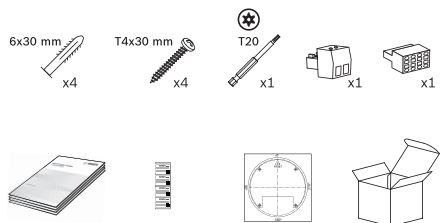
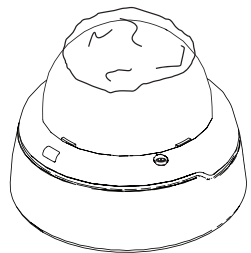
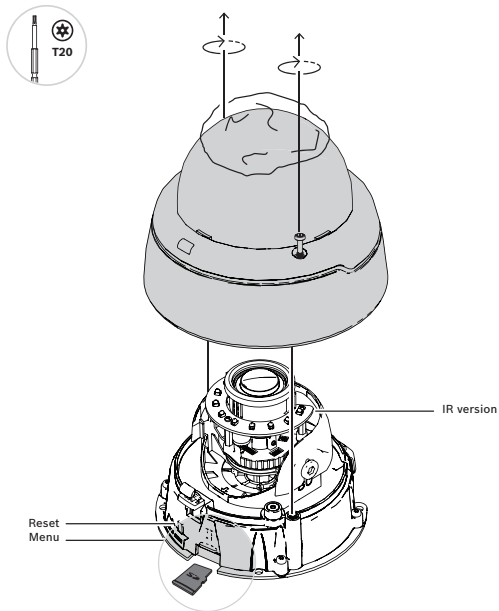


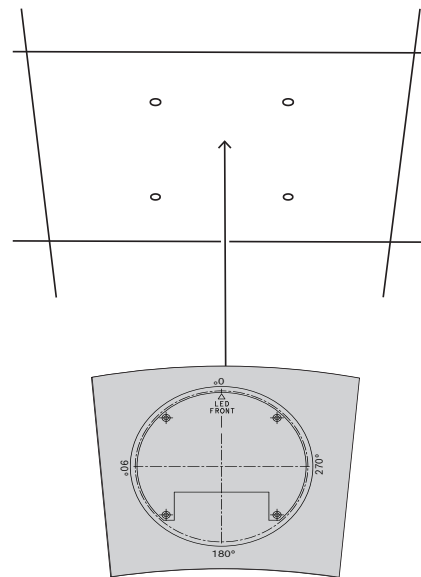
1 |



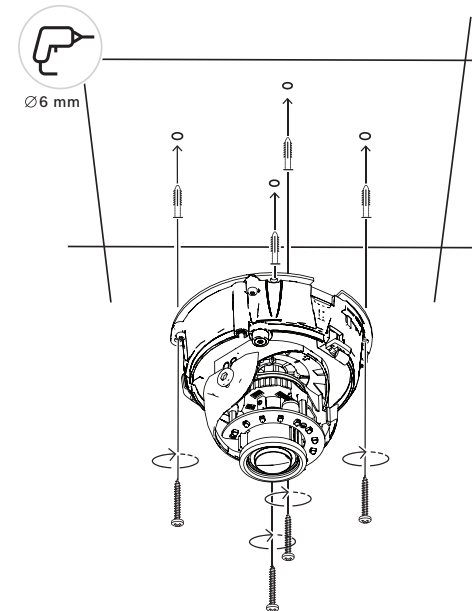
2 |



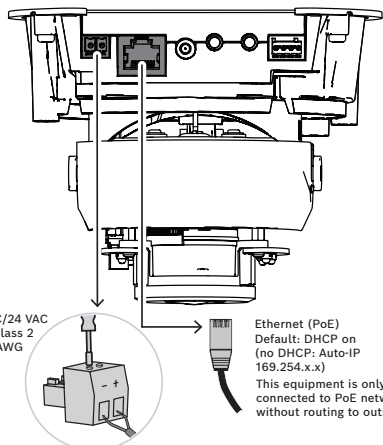
3 |



4 |



5 |

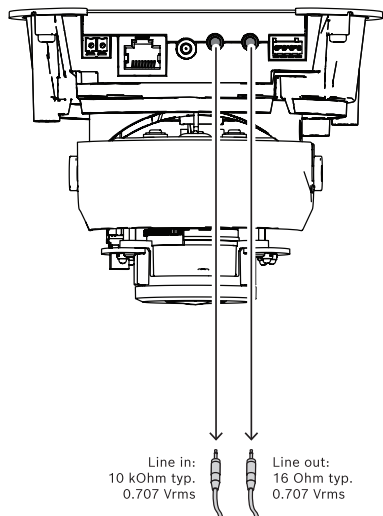


12 VDC/24 VAC  
SELV Class 2  
24-28 AWG

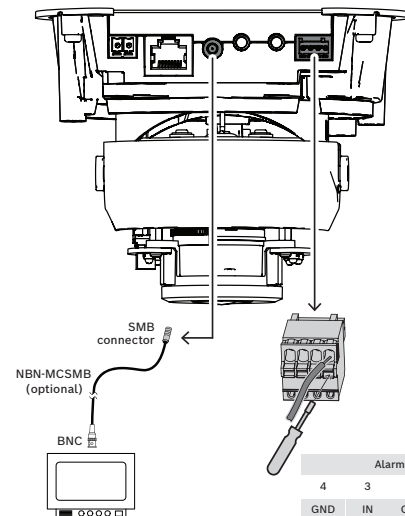
Ethernet (PoE)  
Default: DHCP on  
(no DHCP: Auto-IP  
169.254.x.x)  
This equipment is only to be  
connected to PoE networks  
without routing to outside plant.

If powered by a power adapter,  
the adapter should be properly grounded.

6 |

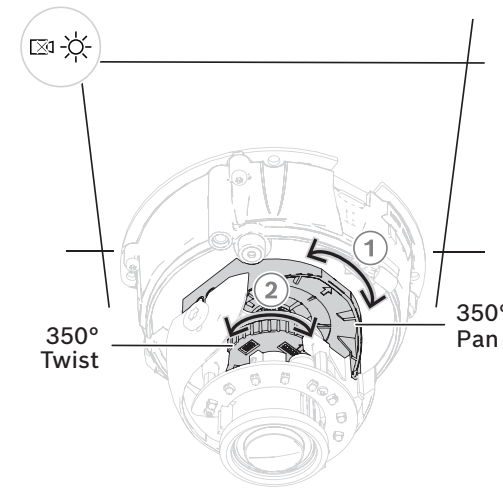


7 |

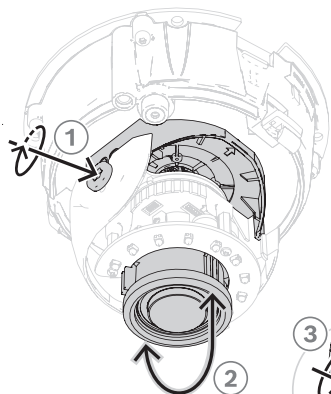


Alarm			
4	3	2	1
GND	IN	OUT	OUT

8 |



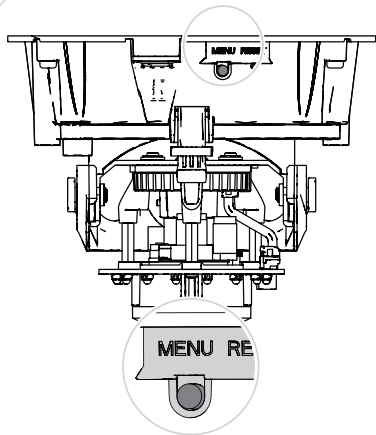
Do not position light  
sensor below edge of  
cover (IR only).



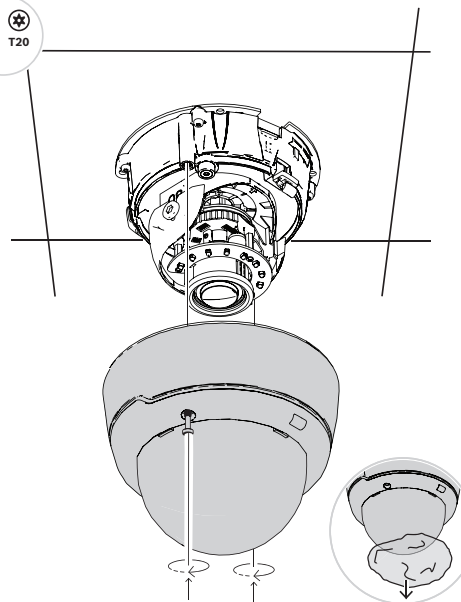
130° Tilt



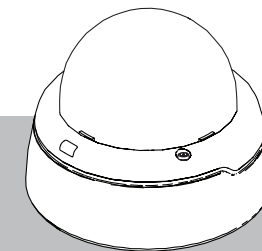
Do not position light sensor below edge of cover (IR only).



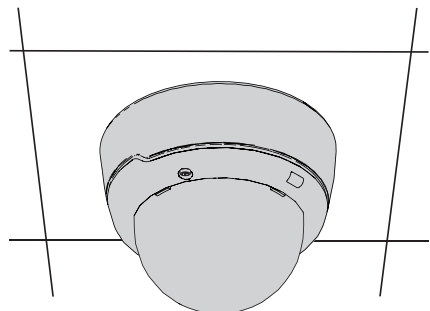
- |                          |                               |                            |
|--------------------------|-------------------------------|----------------------------|
| 1. <2s On                | 2. >2s 180°                   | 3. <2s Default             |
| 4. <2s Focus - autofocus | 5. <2s Zoom ↑ <2s (0-6) ↓ <2s | 6. >2s Zoom OK - autofocus |
| 7. <2s Focus & Zoom OK   | 8. <2s Analog ↻ <2s format →  | 9. >2s Output OK           |



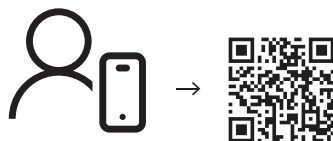
**FLEXIDOME IP 4000i | 5000i (IR) indoor | FLEXIDOME IP starlight 5000i (IR) indoor**  
NDI-4502-A | NDI-4502-AL | NDI-5503-A | NDI-5503-AL | NDI-5502-A | NDI-5502-AL | NDI-4512-A | NDI-4512-AL



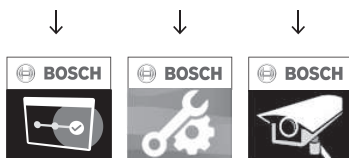
en Quick installation guide



**Project Assistant App + Configuration Manager + Video Security Client**  
Windows | iOS | android



<https://downloadstore.boschsecurity.com/>



**Bosch Security Systems B.V.**  
Torenallee 49  
5617 BA Eindhoven  
Netherlands  
**www.boschsecurity.com**  
© Bosch Security Systems B.V., 2022

**Building solutions for a better life.**