

DS-1661ZJ(Black)

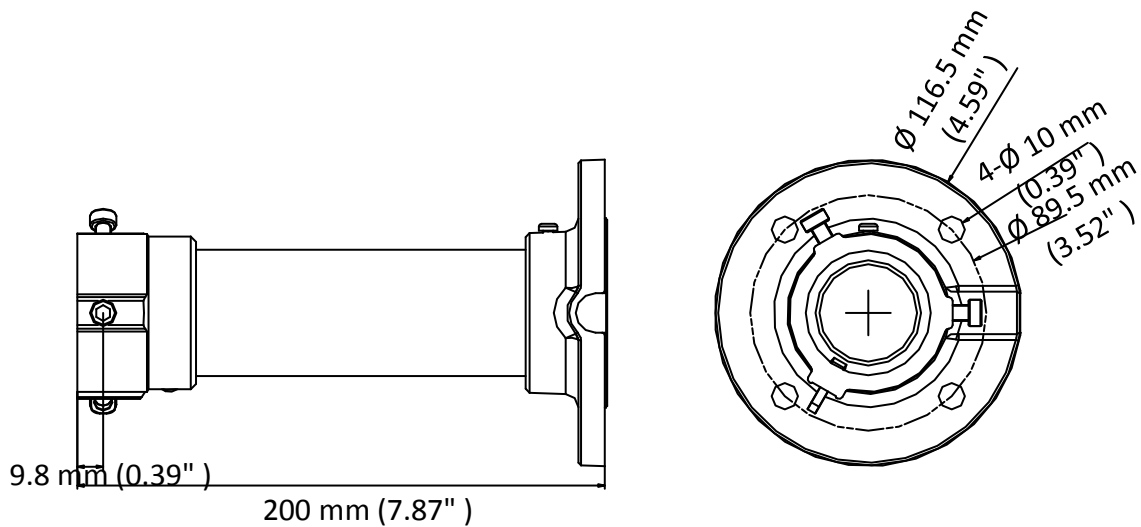
Pendant Mount



Features

- Aluminum alloy with surface spray treatment
- The hook for hanging safety rope facilitates installation
- Applies to both indoor conditions, and outdoor conditions

Dimension



Available Model

DS-1661ZJ(Black)

Parameter

Model	DS-1661ZJ(Black)
Parameters	Pendant Mount
Appearance	Black
Material	Aluminum Alloy
Dimension	∅ 116.5 mm × 200 mm (∅ 4.59" × 7.87")
Weight	600 g (1.32 lb.)

Notes

- The mount should be installed on the flat surface.
- Waterproof rubber is necessary for the outdoor application.
- The wall must be capable of supporting at least 3 times as much as the total weight of the camera, and the mount.
- The maximum load capacity of the mount is 10 kg (22 lb.).