

DS-2665ZJ-Pole-P

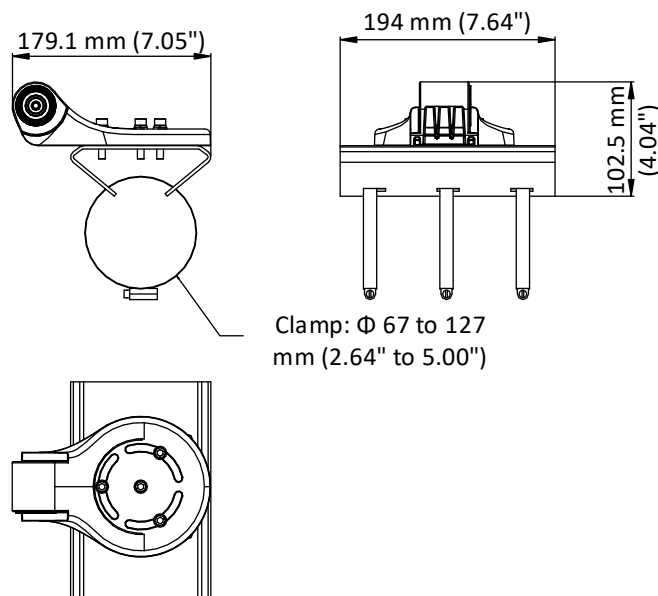
Horizontal Pole Mount



Feature

- Aluminum alloy with surface spray treatment, platinum gray appearance
- For horizontal pole mounting
- Designed for Hikvision products
- Suitable for indoor and outdoor installation

Dimension



Available Model

DS-2665ZJ-Pole-P

Parameter

Model	DS-2665ZJ-Pole-P
Parameters	Horizontal Pole Mount
Appearance	Hikvision White
Application	Suitable for indoor and outdoor installation
Material	ADC12
Angle Adjustment	Pan: approx. 60°
Dimension	194 mm × 179 mm × 102 mm (7.64" × 7.05" × 4.02")
Weight	Approx. 1542 g (3.40 lb.)

Note

- Waterproof rubber is necessary for outdoor application.
- The pole should be capable of supporting at least 3 times the total weight of the camera and the mount.
- The maximum load capacity of the mount is 5 kg (11.02 lb.).