



# Technical Specifications

## **MOBOTIX MOVE 12MP Vandal Hemispheric Analytics Indoor Camera**

This high-performance 12MP indoor camera with Edge and backend dewarping delivers a 360-degree view of the entire surveillance area. Thanks to its integrated IR illumination and advanced exposure control, darkness poses no problem to this camera, which also offers eight embedded video analysis functions. DNN (Deep Neural Network) support for Intrusion Detection, Loitering Detection, Object Counting. Simple installation and ready-to-go straight out of the box.

- Edge Dewarping and Backend Dewarping
- IR LED (true day/night function, up to 10 m)
- Vandal-Proof IK10 (indoor)
- Sony Progressive Scan CMOS
- Image Sensor Resolution up to 12MP
- Multi Codec support (H.265/H.264/MJPEG)
- Multiple Dewarp Display Modes Digital PTZ/Panorama View/Quad View
- True Day/Night function (ICR)
- 3D Motion Compensated Noise Reduction
- ONVIF Profile S/G/T support
- Smart Event Functions:
  - External Input/Manual Trigger
  - Motion Detection/Periodical Event
  - Network Failure Detection/Audio Detection
- Micro SD/SDHC/SDXC Card support up to 1 TB
- Enhanced Video Analytics Package (abandoned objects/sabotage/wrong direction/object count and removal)



## Technical Specifications

### MOBOTIX 12MP Vandal Hemispheric Analytics Indoor Camera

---

# Technical Specifications

## Product Information

Product Name	12MP Vandal Hemispheric Analytics Indoor Camera
--------------	---

Order Code	Mx-VH1A-12-IR-VA
------------	------------------

---

## Image Quality

Image Sensor	12MP, 1/1.7" Sony Progressive CMOS
--------------	------------------------------------

Used Pixels	4000x3000 (12MP)
-------------	------------------

Pixel Size	1.85 $\mu\text{m}$
------------	--------------------

Frame Rate (maximum)	<b>H.265/H.264</b> <ul style="list-style-type: none"><li>Single-stream, <b>back end software</b> dewarping:<ul style="list-style-type: none"><li>4000x3000 @20 fps</li><li>2992x2992 @30 fps</li></ul></li><li>Single-stream, <b>front end camera</b> dewarping:<ul style="list-style-type: none"><li>2976x2976 @27 fps</li><li>2048x2048 @30 fps</li></ul></li></ul>
-------------------------	---

### MJPEG

- Back end software** dewarping:
    - 1920x1080 @60 fps
  - Front end camera** dewarping:
    - 1920x1080 @30 fps
- 

## Lens

Minimum Illumination	Color: 0.1 lux B/W: 0.01 lux
----------------------	---------------------------------

Lens Characteristics	Type: 1/1.7" Hemispheric Lens Focal Length: 1.65 mm Aperture: F2.8
----------------------	--

---

**MOBOTIX 12MP Vandal Hemispheric Analytics Indoor Camera**

**Camera**

Day and Night	Automatic mechanically switchable IR-cut filter
Shutter Time	1 – 1/24767 sec.
Zoom	Digital zoom
Image Settings	Backlight Compensation, White Balance, Noise Reduction, Wide Dynamic Range, Privacy Mask, Brightness, Exposure, Sharpness, Contrast, Saturation, Hue, Digital Zoom, Privacy Mask Type, ICR, IR Threshold
Rotation Mode	180° rotation

**Video Codec**

Compression	H.265/MJPEG/H.264 (MPEG-4 Part 10/AVC) Baseline/Main Profile/High Profile
Streaming	Up to 4 individually configurable streams in H.265/H.264/MJPEG Configurable resolution/frame rate/bandwidth LBR/VBR/CBR in H.265/H.264

**Audio Codec**

Compression	G.711/G.726/AAC/LPCM
Streaming	2 way
Audio Input	Microphone built-in
Audio Output	Speaker built-in

**Network**

Interface	RJ45, 1 Gbps Ethernet
Security	HTTPS/IP Filter/IEEE 802.1X
Supported Protocols	ARP, IPv4/v6, TCP/IP, UDP, RTP, RTSP, HTTP, HTTPS, ICMP, FTP, SMTP, DHCP, PPPoE, UPnP, IGMP, SNMP, QoS, ONVIF
ONVIF	Supports profiles S/G/T

## Technical Specifications

### MOBOTIX 12MP Vandal Hemispheric Analytics Indoor Camera

---

## System Integration

#### Base Video Analytics

- Motion Detection
- Tampering
- Audio noise Detection

#### Enhanced Video Analytics (embedded)

- Abandoned objects
- Sabotage
- Wrong direction
- Object removal

Powered by DNN (Deep Neural Network) object detection:

- Intrusion detection
- Loitering detection
- Object counting

2 analytic functions can be activated simultaneously

#### Event Triggers

- External input
- Analytics
- Network failure detection
- Periodical event
- Manual trigger

#### Event Actions

- External output activation
  - Video and audio recording to edge storage
  - File upload: FTP, network share and email
  - Notification: HTTP, FTP, email
- 

## General

#### Casing

Metal and Plastic

#### Power

PoE IEEE 802.3af, class 0, max 12.95 Watt

#### Connectors

RJ45  
Alarm in x1, Alarm out x1, Terminal Block  
Audio in Terminal Block  
Audio out Terminal Block

#### Storage

Supports microSD/microSDHC/microSDXC card up to 1 TB  
Supports recording to NAS

---

### MOBOTIX 12MP Vandal Hemispheric Analytics Indoor Camera

---

Operating Conditions	-10°C – 55°C 10% – 90%, no condensation
Storage Conditions	-20°C – 70°C
Approvals	EMC, Safety, Environment, CE/FCC, RoHS, IK10
Dimensions	Ø 130x57.8 mm
Weight	565 g

---

## Technical Specifications

### MOBOTIX 12MP Vandal Hemispheric Analytics Indoor Camera

---

# Accessories

**Picture**

**Order Code**

**Description**



Mx-NPA-UPOE1A-60W

UPoE Network Power Injector 60 W

---

## Dimensions

**NOTE!** Download the drilling template from the section or on the MOBOTIX website: [www.mobotix.com](http://www.mobotix.com) > Support > Download Center > Marketing & Documentation > Drilling Templates.

**CAUTION!** Always print or copy at 100% of the original size!

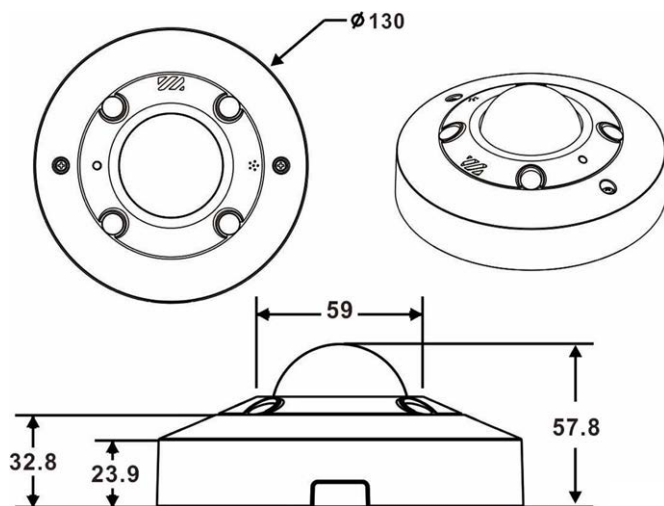


Fig. 1: 12MP Vandal Hemispheric Analytics Indoor Camera: All measurements in mm

# MOBOTIX

BeyondHumanVision

[EN\\_09/21](#)

MOBOTIX AG • Kaiserstrasse • D-67722 Langmeil • Tel.: +49 6302 9816-103 • [sales@mobotix.com](mailto:sales@mobotix.com) • [www.mobotix.com](http://www.mobotix.com)

MOBOTIX is a trademark of MOBOTIX AG registered in the European Union, the U.S.A., and in other countries. Subject to change without notice. MOBOTIX do not assume any liability for technical or editorial errors or omissions contained herein. All rights reserved. © MOBOTIX AG 2020