



Technical Specifications

MOBOTIX c71

MOBOTIX c71 - Premium Hemispheric Camera

With the hemispherical MOBOTIX c71 for indoor use, you have 360 degrees permanently in view. The c71 provides an all-around view with just a single lens - no detail escapes this camera. Fully integrated audio functions, infrared LED and a lens perfectly matched to it complete this product to one of the most powerful cameras on the market. Powerful apps provide AI-based video analysis functions to actively relieve staff - in healthcare, retail or wherever entire rooms need to be monitored.

- MOBOTIX 7 Platform with app support
- Flexible codec support: H.264, H.265, MxPEG+ and MJPEG
- ONVIF Profile S, T, G conformity guarantees utmost interoperability
- 4K effective resolution: 8MP 1:1 2880x2880 (original hemispherical image)
- Integrated Audio (Mic & Speaker)
- Integrated IR LED
- Wide Dynamic Range (WDR) with up to 120 dB



Technical Specifications

| | |
|--|----------|
| Order Information | 2 |
| Hardware | 2 |
| Image Formats, Frame Rates, Image Storage | 4 |
| General Features | 5 |
| Video Analysis | 6 |
| Video Management Software | 6 |
| Dimensions | 7 |

Order Information

| | |
|-------------|----------------|
| Name | MOBOTIX c71 |
| Order Code: | Mx-c71A-8DN016 |

Hardware

| | |
|-----------------------------|---|
| Image sensor (DN) | 4k (16:9) effective max. resolution 3840x2160 |
| Light sensitivity | <ul style="list-style-type: none">▪ Color sensor (day): 0,1 lx @ 1/60 s; 0,005 lx @ 1 s▪ BW sensor (night): 0,02 lx @ 1/60 s; 0,001 lx @ 1 s |
| Exposure control | Manual and automatic mode 1 s to 1/16,000 s |
| Video codecs | <ul style="list-style-type: none">▪ H.264, H.265 with Triple Streaming▪ MxPEG+▪ MJPEG |
| Operating temperature range | -10 to 50 °C/-14 to 122 °F |
| Relative Humidity | 95 % non-condensing |

| | |
|-----------------------------------|---|
| Internal DVR, out of the box | MicroSD card (8 GB), MxPEG+ recording only |
| Microphone/Speaker | <p>Integrated Microphone:</p> <ul style="list-style-type: none"> ▪ Sensitivity: -35 dB +/-4 dB (0 dB = 1 V/pa, 1 kHz) <p>Integrated Loudspeaker:</p> <ul style="list-style-type: none"> ▪ 0.9 W at 8 Ohm |
| Integrated illumination | IR up to 15 m |
| Shock detector (tamper detection) | Yes |
| Max. power consumption | max. 25 W |
| Electrical surge protection | Available with MX-Overvoltage-Protection-Box (not part of the scope of delivery) |
| PoE standard | PoE Plus (802.3at-2009)/Class 4 (Class 3 can be enabled via HW switch. Note: IR illumination requires Class 4) |
| Interfaces | <ul style="list-style-type: none"> ▪ Ethernet 1000BaseT (RJ45 according to EIA/TIA-568B) ▪ USB-C/USB2.0; High-Speed ($V_{out} = 5.1\text{ V}$, $I_{out} = 0.9\text{ A}$, $P_{out} = 4.5\text{ W}$) |
| Mounting Options | Wall- or ceiling-mountable |
| Dimensions (Ø x height) | 164 x 47,5 mm |
| Weight | Gross weight: 1.040 g |
| Housing | Aluminum, PBT-30GF |

Technical Specifications

MOBOTIX c71

| | |
|----------------------------------|---|
| Standard accessories | 2 terminal blocks 1 mounting cable with sealing, 0.5 m/~2 in 2 silicone sealings for patch cable 1 Ethernet patch cable RJ45, 50 cm/19.7 in 1 Allen wrench 2.5 mm 1 c71 lens wrench 4 dowels 8 mm 4 stainless steel pan head-screws 4.5x60 mm 4 stainless steel washers Ø5.3 mm 1 Torx wrench TX 20 4 sealing plugs, white 1 Important Safety Information 1 Camera Connection Flyer |
| Detailed technical documentation | www.mobotix.com > Support > Download Center > Marketing & Documentation |
| MTBF | 80,000 hours |
| Certificates | EN 50121-4:2015, EN 50581:2012, EN 55032:2012+AC:2013, EN 55035:2017, FprEN 61000-6-1:2015, EN 61000-6-2:2015, EN 61000-6-3:2007+A1:2011+AC:2012, EN 61000-6-4:2007+A1:2011, EN 62368-1:2014 + AC: 2015 + A11: 2017 + AC: 2017, IEC 60950-22:2016, AS/NZS CISPR32:2015, 47 CFR Part 15b |
| Protocols | DHCP (client and server), DNS, ICMP, IGMP v3, IPv4, IPv6, HTTP, HTTPS, FTP, FTPS, NFS, NTP (client and server), RTP, RTCP, RTSP, SFTP, SIP (client and server), SMB/CIFS, SNMP, SMTP, SSL/TLS 1.3, UDP, VLAN, VPN, Zeroconf/mDNS |
| Manufacturer warranty | 5 years |

Image Formats, Frame Rates, Image Storage

| | |
|------------------------|--|
| Available video codecs | MxPEG+/MJPEG/H.264/H.265 |
| Image resolutions | VGA 640x360, XGA 1024x576, HD 1280x720, FullHD 1920x1080, 4MP 2688x1512, 8MP 1:1 2880x2880 |
| H.264 multi streaming | Triple Streaming |

| | |
|---------------------------|--|
| Multicast stream via RTSP | Yes |
| Max. image resolution | 8MP 1:1 2880x2880 hemispheric image |
| Max. frame rate | MxPEG: 20@4k, H.264: 30@4k, H.265: 30@4k |

General Features

| | |
|--------------------------------------|--|
| WDR | Up to 120 dB |
| Software features | <ul style="list-style-type: none"> ▪ H.264, H.265 Multistreaming ▪ Multicast stream via RTSP ▪ Digital pan, tilt, zoom/vPTZ (up to 8x zoom) ▪ Genetec protocol integration ▪ Custom exposure zones ▪ Snapshot recording (pre/post-alarm images) ▪ Continuous recording ▪ Event recording ▪ Time-controlled flexible event logic ▪ Weekly schedules for recordings and actions ▪ Event video and image transfer via FTP and email ▪ Playback and QuadView via web browser ▪ Animated logos on the image ▪ Master/Slave functionality ▪ Privacy zone scheduling ▪ Remote alarm notification (network message) ▪ Programming interface (HTTP-API) ▪ MOBOTIX MessageSystem |
| ONVIF compatibility | Profile G, S, T |
| Master/Slave functionality | Yes |
| Remote alarm notification | email, network message (HTTP/HTTPS), SNMP, MxMessageSystem |
| DVR/storage management (MxPEG+ only) | Within the camera via microSD card, on external USB and NAS devices, different streams for live image and recording, MxFFS with buffered archive, pre- and post-alarm images, storage monitoring with error reporting |

Video Analysis

| | |
|------------------------|--|
| Video motion detection | Yes |
| MxActivitySensor | Version 1.0, 2.1 |
| MxAnalytics | Heatmap, people counting & object-based counting |
| MOBOTIX App support | Yes |

Video Management Software

| Feature | Properties |
|--------------------|--|
| MOBOTIX HUB | Yes www.mobotix.com > Support > Download Center > Software Downloads |
| MxManagementCenter | Yes (MxMC 2.2 and higher) www.mobotix.com > Support > Download Center > Software Downloads |
| MOBOTIX LIVE App | Yes Available in Android and iOS App Stores. |

Dimensions

NOTE! Download the drilling template from the section or on the MOBOTIX website: www.mobotix.com > Support > Download Center > Marketing & Documentation > Drilling Templates.

CAUTION! Always print or copy the drilling template at 100% of the original size!

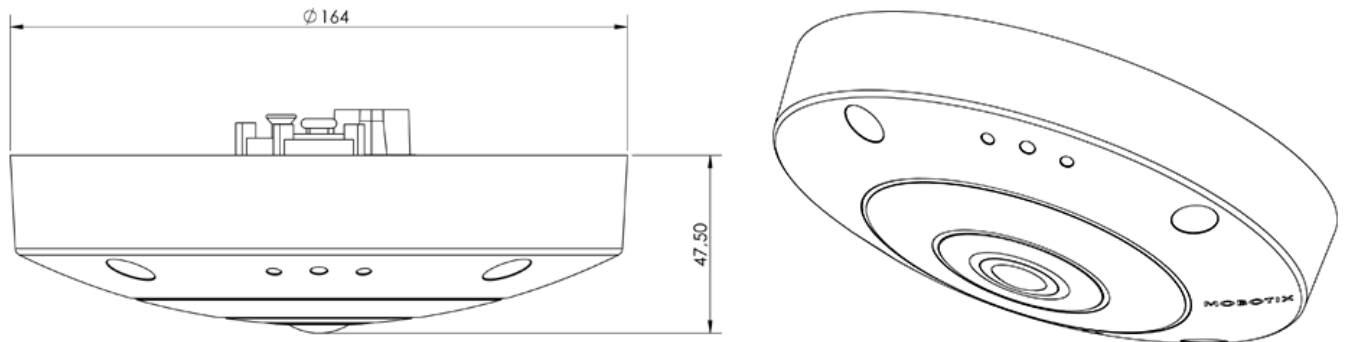


Fig. 1: MOBOTIX c71: All measurements in mm

MOBOTIX

BeyondHumanVision

[EN_09/22](#)

MOBOTIX AG • Kaiserstrasse • D-67722 Langmeil • Tel.: +49 6302 9816-103 • sales@mobotix.com • www.mobotix.com

MOBOTIX is a trademark of MOBOTIX AG registered in the European Union, the U.S.A., and in other countries. Subject to change without notice. MOBOTIX do not assume any liability for technical or editorial errors or omissions contained herein. All rights reserved. © MOBOTIX AG 2021