

DH-PFA2310RA

Anti-corrosion Junction Box



- Built of aluminum alloy.
- Suitable for a variety of cameras.
- Elegant and easy to install.



System Overview

Dahua Junction Box is beautifully designed and highly convenient. Cables can be organized in it and there are outlets at the bottom and side of the box, making it easy to install and use.

Scene

Ideal for mounting cameras, and works in temperatures ranging from $-40\text{ }^{\circ}\text{C}$ to $+60\text{ }^{\circ}\text{C}$ ($-40\text{ }^{\circ}\text{F}$ to $+140\text{ }^{\circ}\text{F}$) and in environments with a relative humidity of less than 90%.

Technical Specification

Structure

Casing Material	Aluminum alloy
Product Dimensions	$\Phi 111.2\text{ mm} \times 41.2\text{ mm}$ ($\Phi 4.38'' \times 1.62''$)
Appearance Color	White
Net Weight	0.26 kg (0.57 lb)
Gross Weight	0.44 kg (0.97 lb)
Load Bearing	3 kg (6.61 lb)
Installation	Junction Mount
Screw Thread Type	G3/4
Applicable Model	Please see "Camera Accessories Selection"
Packaging Dimensions	$187.0\text{ mm} \times 164.0\text{ mm} \times 72.0\text{ mm}$ ($7.36'' \times 6.46'' \times 2.83''$) (L x W x H)

Environment

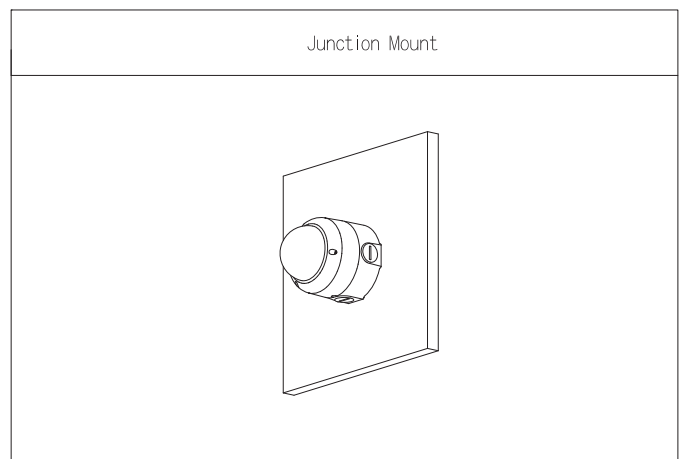
Operating Temperature	$-40\text{ }^{\circ}\text{C}$ to $+60\text{ }^{\circ}\text{C}$ ($-40\text{ }^{\circ}\text{F}$ to $+140\text{ }^{\circ}\text{F}$)
-----------------------	--

Operating Humidity	<90% (RH)
Storage Temperature	$-40\text{ }^{\circ}\text{C}$ to $+60\text{ }^{\circ}\text{C}$ ($-40\text{ }^{\circ}\text{F}$ to $+140\text{ }^{\circ}\text{F}$)
Storage Humidity	10%–90% (RH)
Anti-corrosion Level	Moderate Protection

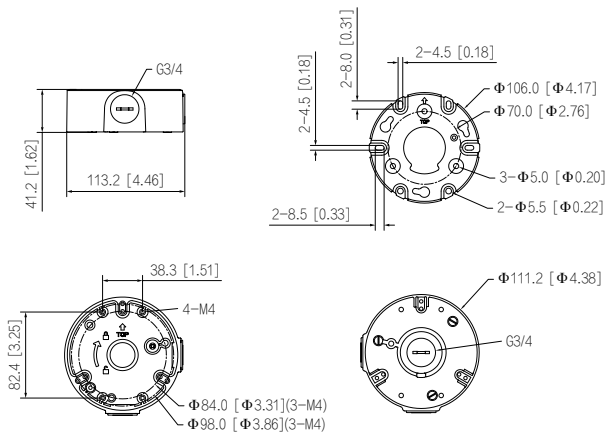
Ordering Information

Type	Model	Description
Camera Mount	DH-PFA2310RA	Anti-corrosion Junction Box
	PFA2310RA	Anti-corrosion Junction Box

Installation



Dimensions (mm[inch])



Package Information

- Junction box × 1
- M4x10 screw × 4
- ST4x25 screws × 3
- Plastic expansion bolt × 3
- S3.0 Wrench × 1
- Water joint × 1
- Mounting Sticker × 1
- Mounting Plate × 1